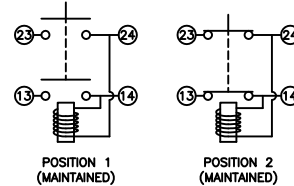


SCHMATIC



SPECIFICATIONS

FUNCTION:  
2P1T OFF-ON  
Auto OFF Below Calibration Voltage

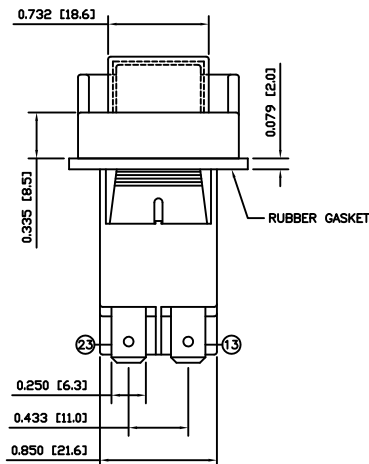
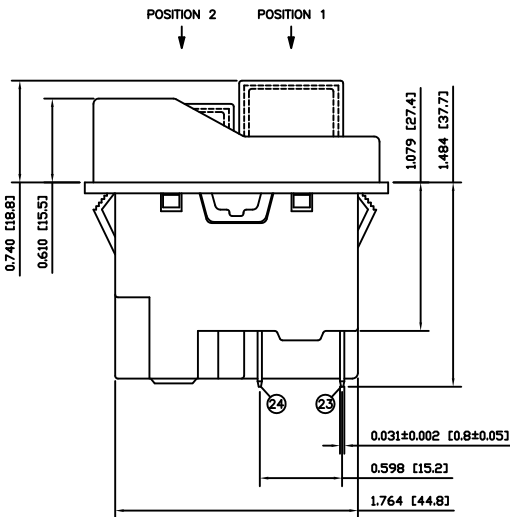
RATINGS:  
ANSI/UL 508 and CAN/CSA C22.2 No.14 (E195908):  
16A 220-240VAC [cURus]  
2HP 220-240VAC (12A FLA, 72A LRA) [cURus]

CALIBRATION VOLTAGE:  
Use: 230V 50Hz  
Release: 120-160V

ELECTRICAL LIFE:  
6,000 Cycles [cURus]

INGRESS PROTECTION:  
IP55

APPROVALS:  
 RoHS COMPLIANT



COLORS AND MARKINGS

BEZEL:  
Black

ACTUATOR:  
ON: Green  
OFF: Red

MARKING:  
I/O Vertical (1)

MARKING COLOR:  
White

MATERIALS

UPPER BODY:  
Polyamide 6/6 (PA66)

LOWER BODY:  
Polyamide 6/6 (PA66+G10)

BEZEL:  
Polyamide 6/6 (PA66+G10)

ACTUATORS:  
Polyamide 6/6 (PA66)

MOUNTING EARS:  
Polyamide 6/6 (PA66)

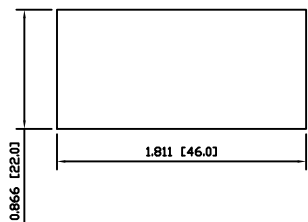
COVER:  
Polyvinyl Chloride (PVC)

CONTACTS:  
Silver Alloy Clad Copper (AgSnO/Cu)

TERMINALS:  
Brass

GASKET:  
Rubber

SUGGESTED PANEL CUTOUT



BODY	A	09/08/07	CAB
COLORS	A	09/08/07	CAB
MATERIALS	A	09/08/07	CAB
SPECIFICATIONS	A	09/08/07	CAB
REFERENCE	REV.	DATE	BY

THE INFORMATION CONTAINED IN THIS DOCUMENT IS PROPRIETARY TO E-SWITCH AND IS NOT TO BE COPIED OR TRANSFERRED

A	INITIAL RELEASE	19420	10/11/09	CAB
REV.	DESCRIPTION	PCR	DATE	DRAWN BY

DIMENSIONS	INCHES [MILLIMETERS]
GENERAL TOLERANCES	±0.020 [±0.5] / ±1°
SCALE	DRAWING NOT TO SCALE
PROJECTION	

TITLE		
KJD17-21313-112		
ITEM NUMBER	DATE	REVISION
34-KJD1721313112	NOVEMBER 9, 2010	A